

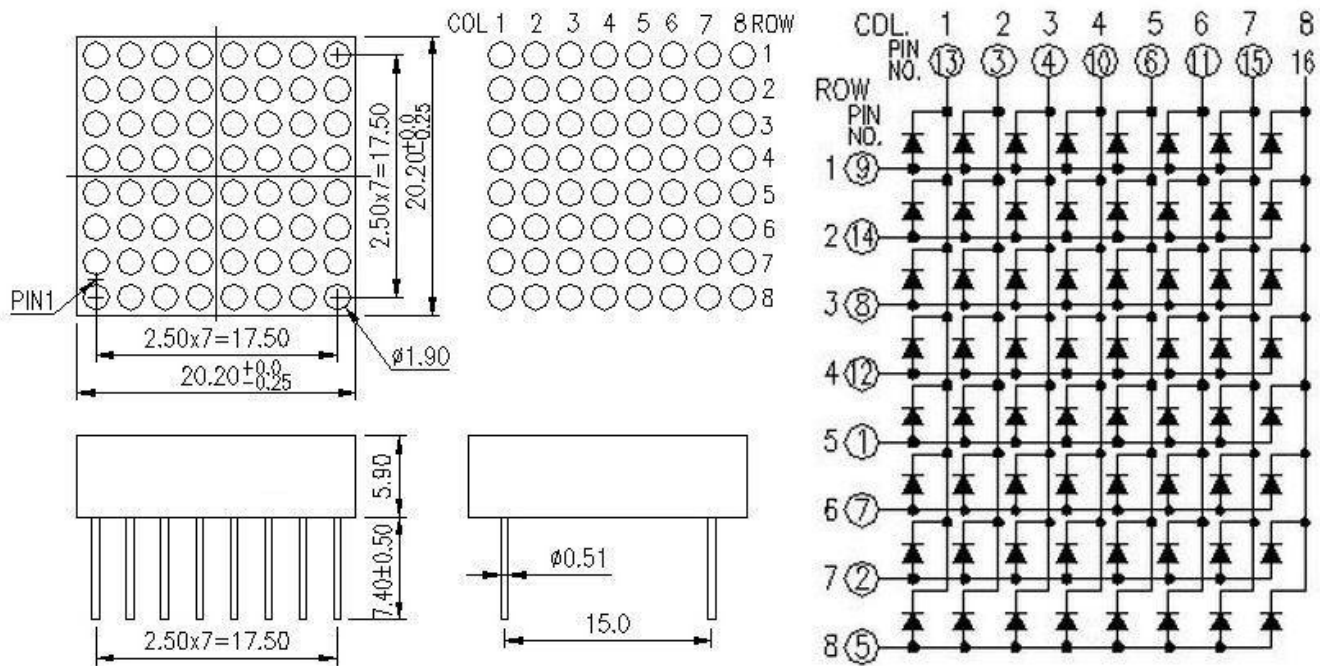
(1) Absolute Maximum Ratings at Ta=25 °C

Item	Symbol	Absolute Maximum Rating	Unit
Forward Current	IF	20	mA
Pulse Forward Current	IFP	100	mA
Reverse Voltage	VR	5	V
Power Dissipation	PD	100	mW
Operating Temperature	Topr	-20~+80	°C
Storage Temperature	Tstg	-25~+85	°C
Soldering Temperature	Tsld	Reflow Soldering: 260°C for 5 Seconds Hand Soldering: 350°C for 3 Seconds	

* IFP Conditions: Pulse Width ≤10m sec. and Duty ≤1/10

(2) Initial Electrical /Optical Characteristics at Ta=25°C

Item	Symbol	Min.	Typ.	Max.	Unit	Test Condition
Forward Voltage	VF	1.6	1.8	2.0	V	IF=20mA
Reverse Current	IR	---	---	10	uA	VR=5V



Contact Us

Sure Electronics Co., Ltd.

Floor 5, A zone,
Qinhuai Technology Innovation center,
NO.105-2, DaMing Road,
Nanjing,
China

Tel: +8613601408832
+86-25-66606340
(English service, from GMT1-10AM, only for technical questions)

Email: support@sure-electronics.net

Website: www.sure-electronics.net
www.sure-electronics.com
www.sureelectronics.net